

APPLICATION:

PRODUCT NAME:
WATER INLET FITTING - 1/2" INLET

JOB NAME:

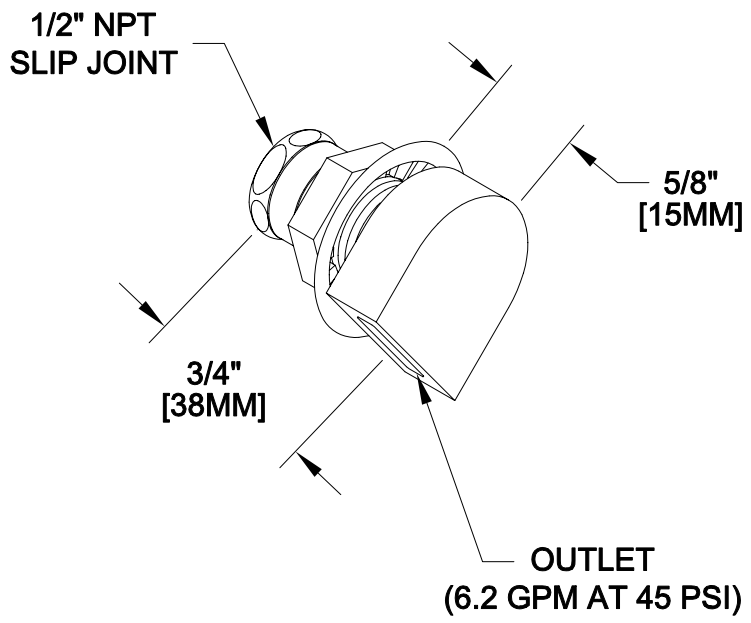
SPECIAL CONFIGURATION
 CHECK BASE MODEL AND OPTIONS

QUANTITY:

ITEM NO.

MODEL:
 2906

OPTIONS OR MODIFICATIONS:
 OTHER _____



FEATURES

* 1/2" NPT INLET

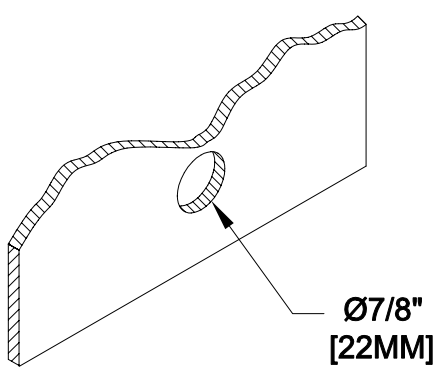
SYSTEM LIMITS

- * TEMP: 40°F MIN. TO 140°F MAX.
- * PRESSURE 200 PSI MAX. STATIC
- * 6.2 GPM AT 45 PSI

SHIPPING WEIGHT

* 0.5 LBS

ROUGH-IN:



FISHER MANUFACTURING COMPANY
 TOLL FREE: 800-421-6162 - FAX: 800-832-8238
 information@fisher-mfq.com - www.fisher-mfq.com